


PRODUCT SHEET

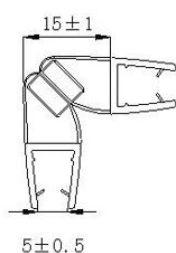
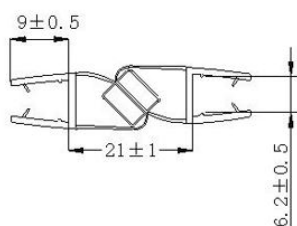
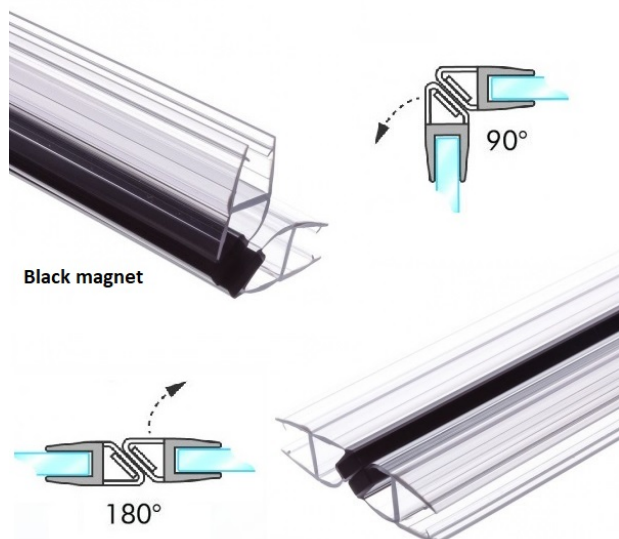
Description:

PVC Seal Glass To Glass, Black Magnet, 90/180DG, S-5711, F/6 mm Glass, 2,5 Mtr.

Item number:

15.22.305-9

Units	Box	Carton	HS Code	Barcode
Pair	4	16	3925901000	 5704866489522



SISO A/S

Mileparken 11
DK-2740 Skovlunde
Denmark
VAT: DK 24786013

Phone +45 45 830 900

www.siso.dk
siso@siso.dk

Danske Bank
Nytorv Branch
Copenhagen
SWIFT: DABADKKK

Account no.
4180 3112 112936
IBAN Account
DK7230003112112936